

CP Flare Camera Kit



CP Communications

2K 3G-SDI POV



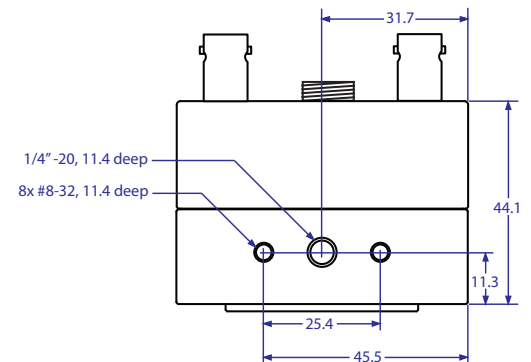
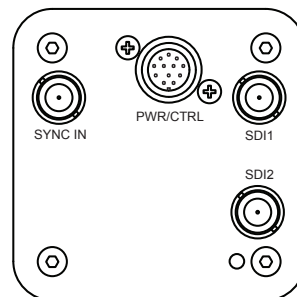
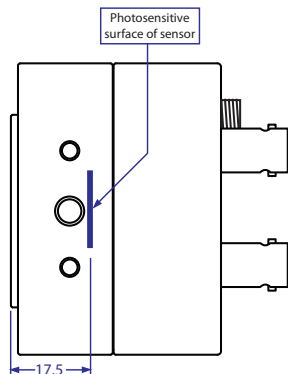
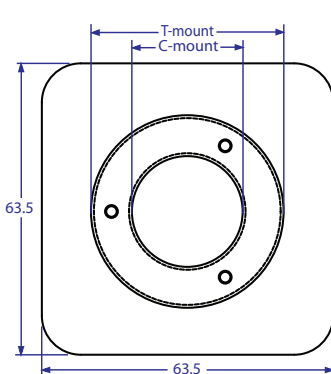
- Compact one-piece rugged 2K camera
- 3G/HD-SDI Output, including 2K, 1080p, 1080i, and 720p
- Kowa 5mm or 8mm C-Mount lenses
- Complete fiber interface
- Adjustable color matrix, saturation and gamma
- Tri-level sync input for multi-camera synchronization
- RS-485 control interface with handheld remote control
- Low noise and high light sensitivity

Features

Sensor Size (H x V)	2048 x 1088 pixels
Maximum Frame Rate	60 fps at 1080p
Sensor Details	60 dB CMOS, 5.5 x 5.5 μm pixels (12.7mm diagonal)
Shutter	Pipelined global shutter with correlated double sampling
Image Type	4:2:2(Y'Cb'Cr'), or RAW (Bayer)
Pixel Format	10-bit
Video Interface	3G/HD-SDI, both clean feed and OSD feed
White Balance	Automatic (AWB), tracking AWB, or manually adjustable
Color Adjustment	Color matrix, saturation
Black/White Adjustment	Master pedestal, black gamma, knee point
Camera Control	RS-485, handheld remote or PC control, up to 1000 ft
Synchronization	External tri-level sync input
Exposure Control	Automatic (AEC) or manually adjustable in 1/8-degree steps

Output Modes

- Single Link HD-SDI:
- 720p 10bit 4:2:2: 23.98, 24, 25, 29.97, 30, 50, 59.94, 60
 - 1080p 10bit 4:2:2: 23.98, 24, 25, 29.97, 30
 - 1080i 10bit 4:2:2: 50, 59.94, 60
 - 2K 10bit 4:2:2: 23.98, 24, 25, 29.97, 30
- Single Link 3G-SDI:
- 1080p 10bit 4:2:2: 50, 59.94, 60
 - 2K 10bit 4:2:2: 47.95, 48, 50, 59.94, 60



Providing solutions for audio and video communications